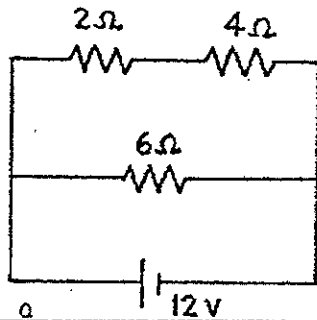


CONCEPTUAL *Physics* PRACTICE PAGE

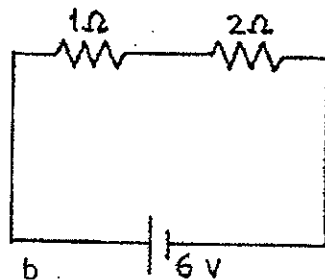
Chapter 23 Electric Current Electric Power in Circuits

The table beside circuit a below shows the current through each resistor, the voltage across each resistor, and the power dissipated as heat in each resistor. Find the similar correct values for circuits b through d and write your answers in the tables shown.



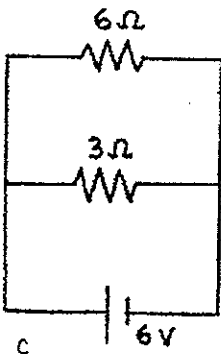
RESISTANCE	CURRENT	VOLTAGE	POWER
2 Ω	2 A	4 V	8 W
4 Ω	2 A	8 V	16 W
6 Ω	2 A	12 V	24 W

a



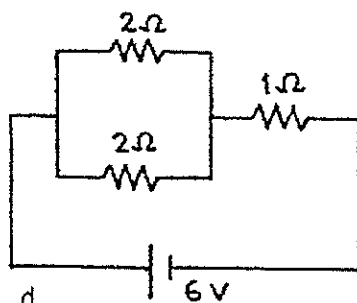
RESISTANCE	CURRENT	VOLTAGE	POWER
1 Ω			
2 Ω			

b



RESISTANCE	CURRENT	VOLTAGE	POWER
6 Ω			
3 Ω			

c



RESISTANCE	CURRENT	VOLTAGE	POWER
2 Ω			
2 Ω			
1 Ω			

d

Distinguish between the voltage *across* a conductor, the current *through* a conductor, and the resistance *between* the ends of a conductor.



Hewitt
Drew it!